

Please type a plus sign (+) inside this box →

Under the Paperwork Reduction Act of 1995, no persons are required to respond to a collection of information unless it displays a valid OMB control number.

07/21/00

PTO
09/62/825
07/21/00

**UTILITY
PATENT APPLICATION
TRANSMITTAL**

(Only for new nonprovisional applications under 37 CFR 1.53(h))

Attorney Docket No.	06192.0146
First Named Inventor or Application Identifier	PARK, Jin-He
Title	Liquid Crystal Display And An Information Processing Apparatus Having The Same
Express Mail Label No.	

APPLICATION ELEMENTS

See MPEP chapter 600 concerning utility patent application contents

ADDRESS TO: Assistant Commissioner for Patents
Box Patent Application
Washington, DC 20231

- | | |
|--|---|
| <p>1. <input checked="" type="checkbox"/> *Fee Transmittal Form (Form PTO-1082)
(Submit an original and a duplicate for fee processing)</p> <p>2. <input checked="" type="checkbox"/> Specification [Total Pages <input type="text" value="29"/>]
(preferred arrangement set forth below)</p> <ul style="list-style-type: none"> - Descriptive title of the Invention - Cross References to Related Applications - Statement Regarding Fed sponsored R&D - Reference to Microfiche Appendix - Background of the Invention - Brief Summary of the Invention - Brief Description of the Drawings (if filed) - Detailed Description - Claims - Abstract of the Disclosure <p>3. <input checked="" type="checkbox"/> Drawing(s) (35 USC 113) [Total Sheets <input type="text" value="14"/>]</p> <p>4. Oath or Declaration [Total Pages <input type="text"/>]</p> <ul style="list-style-type: none"> a. <input checked="" type="checkbox"/> Newly executed (original or copy) b. <input type="checkbox"/> Copy from a prior application (37 CFR 1.63(d))
(for continuation/divisional with Box 17 completed)
[Note Box 5 below] i. <input type="checkbox"/> DELETION OF INVENTOR(S)
Signed statement attached deleting inventor(s) named in the prior application, see 37 CFR 1.63(d)(2) and 1.33(b). <p>5. <input type="checkbox"/> Incorporation By Reference (useable if Box 4b is checked)
The entire disclosure of the prior application, from which a copy of the oath or declaration is supplied under Box 4b, is considered as being part of the disclosure of the accompanying application and is hereby incorporated by reference therein.</p> | <p>6. <input type="checkbox"/> Microfiche Computer Program (Appendix)</p> <p>7. Nucleotide and/or Amino Acid Sequence Submission (if applicable, all necessary)</p> <ul style="list-style-type: none"> a. <input type="checkbox"/> Computer Readable Copy b. <input type="checkbox"/> Paper Copy (identical to computer copy) c. <input type="checkbox"/> Statement verifying identity of above copies |
|--|---|

ACCOMPANYING APPLICATION PARTS

- | | |
|--|--|
| 8. <input checked="" type="checkbox"/> Assignment Papers (cover sheet & document(s)) | |
| 9. <input type="checkbox"/> 37 CFR 3.73(b) Statement (when there is an assignee) | <input type="checkbox"/> Power of Attorney |
| 10. <input type="checkbox"/> English Translation Document (if applicable) | |
| 11. <input type="checkbox"/> Information Disclosure Statement (IDS)/PTO-1449 | <input type="checkbox"/> Copies of IDS Citations |
| 12. <input type="checkbox"/> Preliminary Amendment | |
| 13. <input checked="" type="checkbox"/> Return Receipt Postcard (MPEP 503) (Two) (should be specifically itemized) | |
| 14. <input type="checkbox"/> *Small Entity Statement(s) | <input type="checkbox"/> Statement filed in prior application, Status still proper and desired |
| 15. <input type="checkbox"/> Certified Copy of Priority Document(s) (if foreign priority is claimed) | |
| 16. <input type="checkbox"/> Other: | |

*NOTE FOR ITEMS 1 & 14 IN ORDER TO BE ENTITLED TO PAY SMALL ENTITY FEES, A SMALL ENTITY STATEMENT IS REQUIRED (37 C.F.R. § 1.27), EXCEPT IF ONE FILED IN A PRIOR APPLICATION IS RELIED UPON (37 C.F.R. § 1.28)

17. If a CONTINUING APPLICATION, check appropriate box and supply the requisite information:

<input type="checkbox"/> Continuation	<input type="checkbox"/> Divisional	<input type="checkbox"/> Continuation-in-part (CIP)	of prior application No: /
Prior Application Information: Examiner:		Group/Art Unit:	

18. CORRESPONDENCE ADDRESS

Customer Number or Bar Code Label or Correspondence address below
(Insert Customer No. or Attach bar code label here)

NAME	HOWREY SIMON ARNOLD & WHITE, LLP				
ADDRESS	Box No. 34 1299 Pennsylvania Avenue, N.W.				
CITY	Washington	STATE	DC	ZIP CODE	20004-2402
COUNTRY	US	TELEPHONE	202-783-0800	FAX	202-383-7195
Name (Print/Type)	Michael J. Bell	Registration No. (Attorney/Agent)	39,604		
Signature		Date	July 21, 2000		



1299 PENNSYLVANIA AVE., NW
WASHINGTON, DC 20004-2402
PHONE 202.783.0800
FAX 202.383.6610
A LIMITED LIABILITY PARTNERSHIP

July 21, 2000

Box Patent Application

BY HAND DELIVERY

Assistant Commissioner for Patents
Washington, D.C. 20231

Re: Non-Provisional Utility Patent Application
Application No.: To be Assigned; Filed: July 21, 2000
For: **Liquid Crystal Display And An Information Processing Apparatus
Having The Same**
Inventor(s): **Jin-Ho PARK, Jong-Seon KIM, Soo-Han HUR, Jung-Tae
KANG, Jin-Hyeok PARK, Nam-Soo KANG, Choong-Seob
OH**
Our Ref: 06192.0146

Sir:

The following documents are forwarded herewith for appropriate action by the
U.S. Patent and Trademark Office:

- 1. Utility Patent Application Transmittal Form;
- 2. Fee Transmittal Form 1082 (duplicate); and
- 3. U.S. Utility Patent Application entitled:

**Liquid Crystal Display And An Information Processing Apparatus
Having The Same**

and naming as inventor(s):

**Jin-Ho PARK, Jong-Seon KIM, Soo-Han HUR, Jung-Tae KANG, Jin-
Hyeok PARK, Nam-Soo KANG, Choong-Seob OH**

the application consisting of:

- a. a specification containing:
 - (i) 22 pages of description prior to the claims;

1c803 U.S. PTO
07/21/00

06192.0146 07/21/00

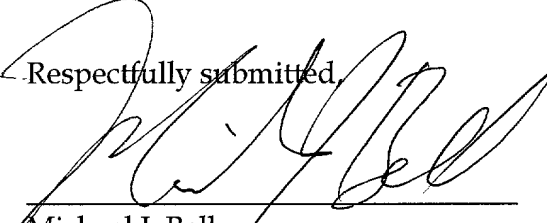
Assistant Commissioner for Patents
July 21, 2000
Page 2

- (ii) 6 pages of claims (17 claims); and
 - (iii) a one (1) page abstract;
- b. 14 sheets of drawings. (Figs. 1-16)
- 4. A copy of the executed Combined Declaration and Power of Attorney for Patent Application;
 - 5. Form PTO-1595 Recordation Cover Sheet and a copy of the executed Assignment to Samsung Electronics Co., Ltd., recordation of which is hereby respectfully requested;
 - 6. Our check no. 331726 for \$690.00 and check no. 331725 for \$40.00 to cover:
 - \$690.00 filing fee for patent application; and
 - \$ 40.00 assignment recordation fee.
 - 7. Two (2) return postcards.

It is respectfully requested that, of the two attached postcards, one be stamped with the filing date of these documents and returned to our courier, and the other, prepaid postcard, be stamped with the filing date and unofficial application number and returned as soon as possible.

Applicant hereby claims foreign priority benefits under Title 35, United States Code, § 119 to Korean Applications Nos. 1999-29529 filed July 21, 1999, 1999-30549 filed July 28, 1999, and 2000-31337 filed June 8, 2000.

The U.S. Patent and Trademark Office is hereby authorized to charge any fee deficiency, or credit any overpayment, to our Deposit Account No. 08-3038. A duplicate copy of this letter is enclosed.

Respectfully submitted,


Michael J. Bell
Registration No. 39,604

Enclosures

00720" 5237250

HOWREY SIMON ARNOLD & WHITE, LLP
Box No. 34
1299 Pennsylvania Avenue, N.W.
Washington, D.C. 20004-2402
(202) 783-0800

Attorney Docket No. 0 6192.0146

ASSISTANT COMMISSIONER FOR PATENTS
Washington, D.C. 20231

Sir:

Transmitted herewith for filing is the patent application of

Inventor(s): **Jin-Ho Park, Jong-Seon Kim, Soo-Han Hur, Jung-Tae Kang, Jin-Hyeok Park, Nam-Soo Kang, Choong-Seob Oh**

For: **Liquid Crystal Display And An Information Processing Apparatus Having The Same**

Enclosed are:

- 14 sheets of drawings. (Figs. 1-16)
- An assignment of the invention to SAMSUNG ELECTRONICS CO., LTD.
- Form PTO-1595.
- A certified copy of Korean Priority Document Patent Appl. No.
- An associate power of attorney.
- A verified statement to establish small entity status under 37 CFR 1.9 and 37 CFR 1.27.
- Executed Power of Attorney from Assignee.
- Executed Declaration for Patent Application.

The filing fee has been calculated as shown below:

	(Col. 1)	(Col. 2)	
FOR	NO. FILED	NO. EXTRA	
BASIC FEE			
TOTAL CLAIMS	17 -20 =	* 0	
INDEP. CLAIMS	3 -3 =	* 0	
<input type="checkbox"/> MULTIPLE DEPENDENT CLAIM PRESENTED			

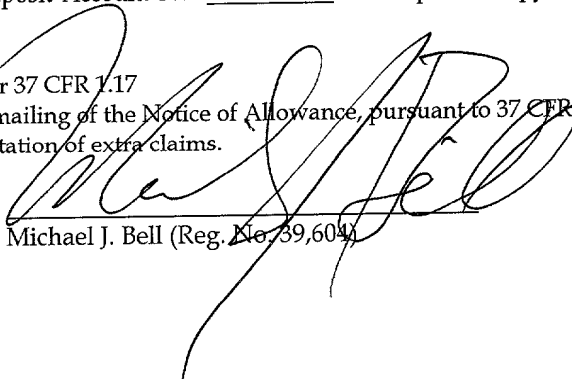
*If the difference in Col. 1 is less than zero, enter "0" in Col. 2

SMALL ENTITY	
RATE	FEE
	\$ 380.00
x 9 =	
x 39 =	
+ 130 =	
TOTAL	

OTHER THAN A SMALL ENTITY	
RATE	FEE
	\$ 690.00
0 x 18 =	
0 x 78 =	
+ 260 =	
TOTAL	\$690.00

- Please charge my Deposit Account No. 08-3038 in the amount of _____. A duplicate copy of this sheet is attached.
- A check in the amount of \$ 690.00 and \$40.00 to cover the filing fees and the assignment recordation fees is enclosed.
- The U.S. Patent and Trademark Office is hereby authorized to charge payment of the following fees associated with this communication or credit any overpayment to Deposit Account No. 08-3038. A duplicate copy of this sheet is attached.
 - Any additional filing fees required under 37 CFR 1.16.
 - Any patent application processing fees under 37 CFR 1.17.
- The U.S. Patent and Trademark Office is hereby authorized to charge payment of the following fees during the pendency of this application or credit any overpayment to Deposit Account No. 08-3038. A duplicate copy of this sheet is enclosed.
 - Any patent application processing fees under 37 CFR 1.17
 - The issue fee set in 37 CFR 1.18 at or before mailing of the Notice of Allowance, pursuant to 37 CFR 1.311(b).
 - Any filing fees under 37 CFR 1.16 for presentation of extra claims.

Date July 21, 2000


 Michael J. Bell (Reg. No. 39,604)

with LCD monitor.”

Considering the above patents, the notebook computer, a kind of portable computer, has a main body for storing and processing information provided by an input unit such as a keyboard; and a monitor unit capable of swinging about the main body for displaying the information supplied from the main body thereon.

In a notebook computer, the monitor unit includes an LCD and a case. The LCD has a LCD panel assembly, a backlight assembly, a mold frame and a chassis. The LCD panel assembly has a liquid crystal panel, a signal transmission film, a source printed circuit board (hereafter, referred to as “PCB”), a gate PCB and a control board.

Here, the source PCB, gate PCB and control board are mounted to be separated from one another, and electrically connected by means of a flexible PCB for securing the signal transmission path from one another.

The control board generates a color signal, a clock signal and a power source signal in accordance with image signals. The source PCB carries out an operation for displaying the images in response to the signals supplied from the control board.

At this time, the source PCB is mounted with various portions such as a data latch section, a timing generating section, a voltage generating section, and so on to generate signals such as a driving signal and a control signal. The gate PCB is mounted with a gate voltage supplying section for generating a predetermined gate voltage in response to the control signal from the source PCB.

The aforementioned source PCB and gate PCB are mounted to the LCD in a PCB-bending manner, and bent from the side plane toward the rear plane of the LCD to be connected to the control board. Therefore, the LCD becomes as thick as the

thickness of the components mounted to the source PCB.

On the other hand, the signals provided from the aforementioned information processing apparatus are of analog signals, but the LCD unit-type monitor unit is generally driven by digital signals. Accordingly, the monitor unit has an analog-digital
5 convert circuit board for converting the analog signals supplied from the information processing apparatus into the digital signals.

The analog-digital convert circuit board is electrically connected to the control PCB by means of a connecting cable, and the control PCB is electrically connected to the source PCB by means of a flexible printed circuit board.

10 Once a lot of electric signals are transmitted via the flexible printed circuit board and connecting cable in a high speed, plenty of electromagnetic waves are generated from the members which electrically connect respective printed circuit boards. Thus, the electromagnetic wave serves as an inferior factor that greatly degrades the quality of the monitor unit.

15 Moreover, the flexible PCB and connecting cable are too expensive to satisfy the economic concern of heightening the cost of the product as well as the foregoing problem of electromagnetic wave.

Also, products provided by integrally coupling the main body of the computer system and the monitor unit is currently in great demand. However, these are just
20 limited to the computer system applied with the CRT-type monitor unit while products provided by coupling the main body of the computer system to the LCD unit-type monitor unit have yet to be available.

SUMMARY OF THE INVENTION

25 Therefore, it is one object of the present invention to provide a LCD capable of

minimizing the dimension of the LCD.

It is another object of the present invention to provide an information processing apparatus having a minimized LCD.

It is still another object of the present invention to provide a LCD having an
5 information processing function.

To achieve the aforementioned object of the present invention, a liquid crystal display according to the embodiment of the present invention includes a backlight assembly having a light source portion for generating light, and a liquid crystal display panel for receiving the light from the backlight assembly to display images.

10 Also, a mold frame for sequentially accepting the backlight assembly and liquid crystal display panel is formed to be gradually thinner as further advancing from the first side of receiving, to place the light source portion toward the second side opposition to the first side.. In addition to these, a chassis coupled to be opposite to the mold frame for closely fixing the backlight assembly and liquid crystal display
15 panel to the mold frame is formed to be gradually thinner as further advancing from the first side of receiving, to place the light source portion toward the second side opposition to the first side.

To achieve the above object of the present invention, an information processing apparatus according to the embodiment of the present invention includes
20 a liquid crystal display panel assembly having a liquid crystal display panel and a source printed circuit board formed with a wiring pattern for signal transmission. Further to the liquid crystal display panel assembly, a backlight assembly supplies light to the display unit, a mold frame accepts the backlight assembly and display unit, and a chassis is coupled to oppose to the mold frame for closely fixing the
25 backlight assembly and display unit. By this construction, the source printed circuit

board receives a liquid crystal display panel driving signal supplied from the outside of the mold frame and chassis for driving the liquid crystal display panel to transmit the liquid crystal display panel driving signal to the liquid crystal display panel.

To achieve the above object of the present invention, a liquid crystal display according to the embodiment of the present invention is formed by a liquid crystal display module which includes a backlight assembly having a light source portion for generating light, and a liquid crystal display panel having a source printed circuit board for transmitting signals to receive the light from the backlight assembly to display images. Also included as parts of the liquid crystal display module are a mold frame for sequentially accepting the backlight assembly and liquid crystal display panel, which is formed to be gradually thinner as further advancing from the first side of receiving, to place the light source portion toward the second side in opposition to the first side, and a chassis coupled to oppose to the mold frame for closely fixing the backlight assembly and liquid crystal display panel to the mold frame, which is formed to be gradually thinner as further advancing from the first side of receiving, to place the light source portion toward the second side in opposition to the first side. In addition to the liquid crystal display module, there is provided an information processing module which has a liquid crystal display panel driving circuit for generating a driving signal for driving the liquid crystal display panel, and supplying the driving signal to the liquid crystal display panel via the source printed circuit board.

Preferably, the information processing apparatus further includes a flexible printed circuit board to electrically connect the liquid crystal display panel driving circuit and source printed circuit board. The flexible printed circuit board and the source printed circuit board are electrically coupled by means of either one of an

anisotropic conductive film and a solder.

Furthermore, the information processing module is closely coupled to the rear plane of the mold frame, and the liquid crystal display module and information processing module are fixedly placed between a front case and a rear case closely coupled by being opposite to each other.

In addition, the information processing module further includes signal converting means electrically, which is coupled to the liquid crystal display panel driving circuit, for converting an analog video signal supplied from the outside of the liquid crystal display, into a digital video signal in order to supply the converted signal to the liquid crystal display panel driving circuit. Also, the liquid crystal display module further has a reinforcing bracket closely coupled to the rear plane of the mold frame.

Moreover, the liquid crystal display module is coupled to the information processing module by means of hinges and latches, the portion of placing the light source portion in the liquid crystal display module is coupled to the information processing module by means of the hinges, and an end of the portion thins as distance furthers from the light source portion is coupled to the information processing module by means of the latches.

According to the above LCD and information processing apparatus, the liquid crystal panel driving circuit which generates the driving signal for driving the liquid crystal panel, is mounted to the main body of the computer system. Accordingly, the chassis, mold frame, front and rear cases are fabricated in the form of corresponding to the light-conducting plate of the backlight assembly. By assembling the chassis, mold frame, and front and rear cases, the side plane of the LCD becomes gradually thinner as being further distanced from the position of accepting the light source portion, thereby being capable of making the LCD thinner.

In the meantime, the information processing module mounted to the main body may be accommodated between the mold frame and rear case. Once the information module is accommodated within the LCD in this manner, the advantage is that the space occupied by the main body of the computer system can be utilized for other uses when the main body of the computer system and monitor unit are separately constructed. If the information processing module is included within the internal space of the LCD, the information processing module, the liquid crystal panel driving circuit and source PCB are directly connected by means of an anisotropic conductive film, solder or the like. Consequently, the electromagnetic wave generated due to using the separate connecting member such as the flexible PCB can be minimized.

BRIEF DESCRIPTION OF THE DRAWINGS

The above objects and other advantages of the present invention will become more apparent by describing in detail preferred embodiments thereof with reference to the attached drawings in which:

FIG. 1 is a perspective view showing a computer system having an LCD according to one preferred embodiment of the present invention;

FIG. 2 is an exploded perspective view showing a construction of the LCD shown in FIG. 1;

FIG. 3 is a block diagram showing the circuit diagram of the computer system shown in FIG. 1;

FIG. 4 is a perspective view showing the configuration of the flexible PCB shown in FIG. 1;

FIGS. 5 and 6 are views for showing the coupling state of the main body of

the computer system and monitor system shown in FIG. 1;

FIG. 7 is a perspective view showing the LCD having the information processing function according to one preferred embodiment of the present invention;

FIG. 8 is an exploded perspective view showing an internal construction of the LCD having the information processing function shown in FIG. 7;

FIG. 9 is a perspective view showing the coupling relation of the information processing module and liquid crystal display module shown in FIG. 7;

FIGS. 10 and 11 are block diagrams showing the circuit construction of the LCD with the information of the processing function as shown in FIG. 7;

FIG. 12 is a perspective view showing the LCD having the information processing function according to a preferred embodiment of the present invention;

FIG. 13 is a perspective view showing an internal construction of the LCD with the information of the processing function as shown in FIG. 12;

FIG. 14 is an exploded perspective view showing the coupling construction of the liquid crystal panel driving circuit and source PCB shown in FIG. 13; and

FIGS. 15 and 16 are views showing the coupling construction of the information processing module and liquid crystal display module shown in FIG. 13, respectively.

DETAILED DESCRIPTION OF THE preferred EMBODIMENTS

FIG. 1 is a perspective view showing a computer system with an LCD according to one preferred embodiment of the present invention.

Referring to FIG. 1, a main body 100 of a portable computer system is coupled to a monitor unit 110 by means of a swing member (not shown).

Monitor unit 110 has an LCD 300 driven by signals from main body 100 and a

case 200 for accepting to protect LCD 300. Case 200 includes a front case 210 having a bottom plane opened to correspond to a portion of displaying a picture of LCD 300 and a rear case 220 coupled for accommodating LCD 300 to be coupled to front case 210 in opposition thereto.

5 LCD 300 is furnished between front case 210 and rear case 220, and main body 100 and LCD 300 are electrically coupled by a flexible PCB 120 to mutually supply signals.

FIG. 2 is an exploded perspective view showing a construction of the LCD shown in FIG. 1.

10 Referring to FIG. 2, LCD 300 has a mold frame 310 formed with receiving space. A backlight assembly 330 is placed within the receiving space of mold frame 310, and generates to guide light. A liquid crystal display panel assembly 350 provided to the upper portion of backlight assembly 330 receives the light and displays the picture. A chassis 370 is coupled to be opposite to mold frame 310, and
15 closely fixes backlight assembly 330 and liquid crystal display panel assembly 350 into the receiving space of mold frame 310.

Backlight assembly 330 has a light source portion 332 for generating the light and a light-conducting plate 331 having one side section closely coupled to light source portion 332. Light-conducting plate 331 becomes gradually thinner as it is
20 being further distanced from light source portion 332. A reflecting plate 333 for reflecting the light is installed to the lower side of light-conducting plate 331 and optical sheets 334 for diverging and focusing the light are installed to the upper side of light-conducting plate 331.

At this time, light-conducting plate 331 is formed in the following manner that
25 a first side of placing light source portion 332 and a second side facing the first side

differ in thickness, i.e., different heights. In other words, the thickness of light-conducting plate 331 is formed to be thinner as it is being distanced from the first side where light source portion 332 is placed. Accordingly, even though reflecting plate 333 and optical sheets 334 are installed to be closely attached to the upper and lower portions of light-conducting plate 331, the height of the first side which places light source portion 332 of backlight assembly 330 therein is different from that of the second side opposite to the first side.

Meanwhile, liquid crystal display panel assembly 350 includes a liquid crystal panel 355, a liquid crystal (not shown), a signal transmission film 360 and a source PCB 365.

Liquid crystal panel 355 has a TFT substrate 351 formed with a gate line (not shown), a data line (not shown), a thin film transistor and a pixel electrode, and a color filter substrate 352 installed over TFT substrate 351.

Signal transmission film 360 has a gate signal transmission film 361 connected to respective gate lines of TFT substrate 351 and a data signal transmission film 363 connected to the respective data lines. Gate and data signal transmission films 361 and 363 are respectively mounted with a gate driving drive IC 362 and a data driving drive IC 364 for supplying a gate driving signal and a data driving signal to the gate line and data line of TFT substrate 351.

On the other hand, source PCB 365 is formed with a wiring pattern for signal transmission that supplies the gate and data driving signals respectively to gate signal transmission film 361 and data signal transmission film 363. The gate and data driving signals are supplied from main body 100 of the computer system having the information processing function as shown in FIG. 1. That is, liquid crystal panel driving circuit 153 for generating the gate and data driving signals for driving liquid

crystal panel 355 is internally furnished to main body 100.

Backlight assembly 330 and liquid crystal display panel assembly 350 are sequentially accepted within the receiving space of mold frame 310, and are closely coupled to mold frame 310 by means of chassis 370 coupled by being opposite to
5 mold frame 310.

At this time, mold frame 310 and chassis 370 are formed so that the depth of the receiving space becomes as shallow as light source portion 332 of backlight assembly 330 is further distanced from the position of receiving light source portion 332. This is because, generally, the thickness of the side plane when coupling
10 backlight assembly 330 with liquid crystal display panel assembly 350 is different from that of the second side plane while liquid crystal panel driving circuit 153 installed to be bent toward the rear plane of liquid crystal display panel assembly 350 by being electrically coupled to source PCB 365 is moved to main body 100.

As described above, by forming the receiving space of mold frame 310 and
15 chassis 370 in the same depth regardless of the different thickness of the first side of placing light source portion 332 from that of the second side when coupling backlight assembly 330 and liquid crystal display panel assembly 350, an empty space exists between backlight assembly 330 and liquid crystal display panel assembly 350. Due to this fact, backlight assembly 330 and liquid crystal display panel assembly 350
20 cannot be firmly accepted within the interior of mold frame 310 and chassis 370. Therefore, mold frame 310 and chassis 370 are formed in a wedge shape by which the receiving space becomes gradually shallow as being further distanced from the position of receiving light source portion 332.

When mold frame 310 and chassis 370 furnished in the wedge shape are
25 coupled to oppose to each other, both lengthwise side planes of light source portion

332 have different thickness on the first side of placing light source portion 332 from
 that the second side of opposing to the first side. Also, as shown in FIG. 1, front case
 210 and rear case 220 are formed in the wedge shape corresponding to mold frame
 310 and chassis 370. Consequently, the thickness of LCD 110 is reduced as much as
 5 the space being occupied by liquid crystal panel driving circuit 153.

Meanwhile, the construction of main body 100 for accommodating liquid
 crystal panel driving circuit 153 is as shown in FIG. 3.

Referring to FIG. 3, main body 100 has a control board 150. Control board
 150 is formed by a graphic controller 151 for generating control signals such as a
 10 color signal R-G-B, a clock signal CLK and a synchronizing signal SYNC, and a
 power supplying section 152 for receiving an external power source to generate a
 driving power source signal. Included as a part of control board 150 is a liquid crystal
 panel driving circuit 153 for generating the driving signal for liquid crystal panel in
 response to the control signals and driving power source signal. Here, liquid crystal
 15 panel driving circuit 153 mounted to control board 150 and source PCB 356 included
 into LCD 300 are electrically connected by flexible PCB 120 as shown in FIG. 1.

More specifically, liquid crystal panel driving circuit 153 includes a data latch
 section 154 for latching to delay color signal R-G-B for a predetermined time interval
 and supplying the delayed signal, and a timing generator 155 for generating the
 20 control signals required for the driving of liquid crystal panel 355 in response to clock
 signal CLK and sync signal SYNC supplied via data latch section 154. Besides, a
 voltage generator 156 is provided for generating a gradation voltage required for
 liquid crystal panel 355 and a gate on/off voltage in response to the driving power
 source signal.

25 In addition, the aforementioned signals from liquid crystal panel driving circuit

153 are supplied to liquid crystal panel 355 via flexible PCB 120 and source PCB 365.

Referring to FIG. 4, flexible PCB 120 includes a first flexible PCB 121 extending from liquid crystal panel driving circuit 153 and a second flexible PCB 122 extending from source PCB 365. Also, first and second connectors 123 and 124 are respectively installed to the ends extending from first and second flexible PCBs 121 and 122. A signal transmission path between liquid crystal panel driving circuit 153 and source PCB 365 is secured by connecting first connector 123 and second connector 124.

Here, first connector 123 and second connector 124 can be connected at either the rear plane of backlight assembly 330 and the internal space of main body 100. First flexible PCB 121 and liquid crystal panel driving circuit 153, and second flexible PCB 122 and source PCB 365 are electrically connected by an anisotropic conductive film or solder, in which detailed description on the connecting method will be described later.

FIGS. 5 and 6 are views showing the method of coupling main body 100 with monitor unit 110.

Referring to FIG. 5, main body 100 and monitor unit 110 are coupled by means of hinges 112 and 114 and latches 212 and 116. Hinges 112 and 114 are installed to portions of placing light source portion 332 of monitor unit 110, i.e., at the thicker side of monitor unit 110, to be coupled to main body 100.

As shown in FIG. 6, hinges 112 and 114 are provided so that a pair of connecting wings 112b & 112c and 114b & 114c are respectively coupled to shafts 112a and 114a in the diagonal direction. Monitor unit 110 is fixedly coupled to main body 100 by means of hinges 112 and 114 and swings by centering about shafts

112a and 114a.

Additionally, the thinner side portion of monitor unit 110, i.e., the portion opposite to the position of installing with light source portion 332, is detached/attached from/onto main body 100 by means of latches 212 and 116.

5 Meantime, main body 100 and monitor unit 110 may be formed in a body by accepting main body 100 to the interior of monitor unit 110, of which one example is illustrated in FIG. 7.

FIG. 7 is a perspective view showing the LCD having an information processing function according to one preferred embodiment of the present invention.

10 Referring to FIG. 7, the computer system basically has an input unit such as a keyboard 400 and mouse 401, and a monitor unit 500 capable of performing the information processing function having been performed in main body 100 shown in FIG. 1.

Now, the LCD having the information processing function shown in FIG. 7 will be described in detail with reference to FIGS. 7 to 11.

15 FIG. 8 is an exploded perspective view showing an internal construction of the LCD having the information processing function shown in FIG. 7, and FIG. 9 is a view showing a state of closely attaching an information processing module shown in FIG. 8 to the rear plane of the liquid crystal display module. FIGS. 10 and 11 are
20 block diagrams showing the circuit construction of the LCD having the information processing function shown in FIG. 8 in detail.

Referring to FIG. 8, monitor unit 500 includes a front case 510, a rear case 520 coupled to oppose front case 510, having a receiving space of a predetermined depth, and LCD 500 accommodated between front case 510 and rear case 520 for
25 displaying images.

Front case 510 has a rectangular frame form, and is formed on a stand plate 512 by interposing a hinge 511. Rear case 520 is formed of a substance such as a metal or a metal alloy for blocking electromagnetic wave generated from circuits of LCD 500.

5 LCD 500 is formed by a liquid crystal display module 530 and an information processing module 540, electrically coupled to liquid crystal display module 530 and accepted into the rear side of liquid crystal display module 530, i.e., between liquid crystal display module 530 and rear case 520.

10 Liquid crystal display module 530 has a liquid crystal display panel 531, gate and data signal transmission films 534 and 535, a source PCB 536 and a liquid crystal display panel driving circuit 537.

15 Specifically, liquid crystal display panel 531 includes a TFT substrate 532 formed by a thin film transistor, a pixel electrode, a gate line and a data line. A color filter substrate 533 consisting of a common electrode and R-G-B pixels facing with the pixel electrode of TFT substrate 532 is formed over TFT substrate 532. In spite of not being shown in the drawing, a liquid crystal for varying the permeability of light by the change in the arrangement by means of an electric field forms a layer between TFT substrate 532 and color filter substrate 533.

20 The gate and data lines of TFT substrate 532 are respectively connected with output terminals of gate signal transmission film 534 and data signal transmission film 535 via an anisotropic conductive film. Also, an input terminal of data signal transmission film 535 is connected with one end portion of source PCB 536 formed with a wiring pattern for signal transmission.

25 The other end portion of source PCB 536 is electrically connected with liquid crystal panel driving circuit 537 for performing the function described with reference

to FIG. 3, and liquid crystal panel driving circuit 537 is electrically connected with information processing module 540. Liquid crystal panel driving circuit 537 processes a driving signal and a timing signal to be received via gate and data signal transmission films 534 and 535 in response to an image signal supplied from an information processing module 540. At this time, the data driving signal supplied to the data line among the driving signals having been processed by liquid crystal panel driving circuit 537, is supplied into data signal transmission film 535 via source PCB 536. Additionally, after passing through source PCB 536 and data signal transmission film 535, the gate driving signal supplied to the gate line among the driving signals having been processed by liquid crystal panel driving circuit 537 is supplied to gate signal transmission film 534 via the pattern for signal transmission formed to TFT substrate 532.

As described above in detail, the method for transmitting the gate driving signal to the gate line by sequentially passing through liquid crystal panel driving circuit 537, source PCB 536, data signal transmission film 535, TFT substrate 532 and gate signal transmission film 534 is embodied by a "one-chip technique," in which the elements of the gate PCB are mounted to liquid crystal panel driving circuit 537, the wiring pattern of the gate PCB is formed onto TFT substrate 532 and then the gate PCB is omitted. Likewise, the elements of source PCB 536 are mounted to liquid crystal panel driving circuit 537, and source PCB 536 is formed with only the wiring pattern for signal transmission. The foregoing one-chip technique is identically applied to liquid crystal display panel assembly 350 shown in FIG. 2.

Meanwhile, although not shown in FIG. 8, backlight assembly 330 and mold frame 310 are sequentially interposed between liquid crystal display panel 531 and rear case 520, as shown in FIG. 2. In addition, chassis 370, as shown in FIG. 2 is

interposed between liquid crystal display panel 531 and front case 510 to be coupled to oppose mold frame 310.

Referring to FIG. 9, as described above, information processing module 540 connected with liquid crystal panel driving circuit 537 is closely coupled to mold frame 538 on the rear plane of liquid crystal display panel 531, together with liquid crystal panel driving circuit 537 while data signal transmission film 535 is bent.

At this time, a reinforcing bracket 539 may be installed onto mold frame 538 to firmly fix liquid crystal panel driving circuit 537 and information processing module 540.

When information processing module 540 is accommodated into the interior of LCD 500 as described above, the overall thickness of LCD 500 may be increased in association with the number of elements included into the information processing module 540. However, as described with reference to FIG. 2, the above-stated information processing module 540 is accepted within the receiving space of mold frame 538 provided in the manner that the thickness of light-conducting plate 331 becomes gradually thinner as it is being further distanced from light source portion 332. Also, in liquid crystal display module 530 as described above, the number of PCBs to be received by liquid crystal display module 530 is decreased and the elements become compact by the one-chip technique. Thus, the thickness of LCD 500 hardly increases. Once information processing module 540 is accommodated within the interior of LCD 500 as described above, it is advantageous in that the space having been occupied by the main body of the computer system can be utilized for another use when the main body of the computer system and monitor unit are separately formed.

Referring to FIG. 10, information processing module 540 has a central

processing unit CPU 541 for generating the control signals, a storing section 542 for storing or outputting data, and a video signal processor 543 for processing video data to supply it to liquid crystal panel driving circuit 537. In addition, there is provided a power supplying section 545 for supplying electric power, an interfacing section 546 for interfacing data with an external information processing module, and a multimedia section 547. These sections transmit the data and signals via a data bus 548 and a control bus 549 formed to a main board (not shown). Here, storing section 542 is formed by at least one selected among a ROM, a RAM, a hard disc drive and an optical disc.

Referring to FIG. 11, information processing module 540 as described above may be added with functions required by a user. For example, a modem 547a for performing the external communication, a sound card 547b for playing or recording sound, a graphic card 543, etc. may be added.

Meanwhile, as described above, the information processing module accommodated within the LCD may selectively perform only the partial functions of information processing module 540 as shown in FIGS. 10 and 11.

For example, information processing module 540 may be formed by just an analog-digital converter electrically connected to liquid crystal panel driving circuit 840 to convert analog signals to digital signals.

In this case, as shown in FIG. 12, in addition to a monitor unit 900 having an analog-digital converter 870, and an input unit such as a keyboard 600 and a mouse 601, a main body (not shown) performing the function as information processing module 540 shown in FIG. 8 is to be separately furnished. At this time, monitor unit 900 and the main body are electrically connected by a connection line, designated by reference numeral "602."

007220" 528F2960

Also, referring to FIG. 13, analog-digital converter 870 is accepted by the same way as information processing module 540 shown in FIG. 9. In other words, analog-digital converter 870 is closely attached to the rear plane of mold frame 850 together with liquid crystal panel driving circuit 840 by the bending of data signal transmission film 831. In the same manner, a reinforcing bracket 539 is installed on mold frame 538 to firmly fix liquid crystal panel driving circuit 840 and analog-digital converter 870. Then, analog-digital converter 870 is closely coupled to reinforcing bracket 860 by means of screws 871, 872, 873 and 874.

In FIG. 13, the other elements of monitor unit 900 that are not described, perform the same functions as those of the corresponding components of liquid crystal display module 530 shown in FIG. 8.

On the other hand, referring back to FIG. 9, information processing module 540, liquid crystal panel driving circuit 537 and source PCB 536 are directly coupled with one another without using a separate connecting member such as the flexible PCB.

Furthermore, analog-digital converter 870, liquid crystal panel driving circuit 840 and source PCB 830 shown in FIG. 13 are also directly connected with one another without using a separate connecting member.

To attain such a coupling, as shown in FIG. 14, a coupling terminal 842 is formed between liquid crystal panel driving circuit 840 and source PCB 830. Coupling terminal 842 is formed by the anisotropic conductive film or solder which affords an excellent electrothermosensitive power and an outstanding coupling force.

Moreover, liquid crystal panel driving circuit 840 and source PCB 830 are respectively formed with wiring patterns 832 and 832a for signal transmission. Then, via wiring patterns 832 and 832a for signal transmission, the signal is transmitted

between liquid crystal panel driving circuit 840 and source PCB 830.

Referring to FIGS. 15 and 16 which illustrate the coupling relation of the information processing module and liquid crystal panel driving circuit, liquid crystal panel driving circuit 840 and analog-digital converter 870 are electrically connected
5 by means of a socket or biting connector.

As shown in FIG. 15, an upper socket 841 and a lower socket 871 are respectively mounted to the planes of mutually connecting liquid crystal panel driving circuit 840 and analog-digital converter 870. At this time, upper socket 841 is arranged with a plurality of contact pins 841a having a conductivity, and lower socket
10 871 is arranged with a plurality of contact holes 871a having the conductivity alike. Therefore, by coupling upper socket 841 and lower socket 871 to face each other, liquid crystal panel driving circuit 840 and analog-digital converter 540a are electrically connected to each other.

In addition, as shown in FIG. 16, biting connector 874 is mounted onto the
15 portion of analog-digital converter 870 connected with liquid crystal panel driving circuit 840, to electrically connect analog-digital converter 870 with liquid crystal panel driving circuit 840. At this time, biting connector 874 is provided with an upper plate 876 and a lower plate 875 in the form of tongs.

A wiring pattern 877 for signal transmission is formed on the upper plane of
20 lower plate 875, i.e., the portion of being connected with liquid crystal panel driving circuit 840. Also, a wiring pattern (not shown) for signal transmission is formed to a portion of liquid crystal panel driving circuit 840 corresponding to wiring pattern 877 for signal transmission of lower plate 875.

The coupling method of liquid crystal panel driving circuit 840 and analog-
25 digital converter 870 using biting connector 874 is as follows. First, liquid crystal

panel driving circuit 840 is inserted between upper plate 876 and lower plate 875 of biting connector 874. Then, upon pressing down upper plate 876 of biting connector 874, wiring pattern 877 for signal transmission formed to lower plate 875 and the wiring pattern (not shown) for signal transmission of liquid crystal panel driving circuit 840, electrically contact with each other to secure a signal transmission path between liquid crystal panel driving circuit 840 and analog-digital converter 870.

The method for electrically connecting liquid crystal panel driving circuit 840 with analog-digital converter 870 by using the socket or biting connector as described above is identically applied to the method for electrically connecting liquid crystal panel driving circuit 537 and information processing module 540 shown in FIG. 9.

According to the LCD and information processing apparatus as described above, the liquid crystal panel driving circuit for generating the driving signal to drive the liquid crystal panel, is mounted to the main body of the computer system. The driving signal from the liquid crystal panel driving circuit is supplied to the source PCB formed with the wiring pattern for signal transmission via the flexible PCB.

The chassis, mold frame, front and rear cases of the LCD are fabricated in the form of corresponding to the light-conducting plate of the backlight assembly for minimizing the space between the liquid crystal display module and mold frame produced by eliminating the liquid crystal panel driving circuit from the LCD. That is, as the chassis, mold frame, front and rear cases are further distanced from the position of receiving the light source portion, the depth of the receiving space becomes shallow as the exposure plate.

Accordingly, when the chassis, mold frame, front and rear cases are assembled for receiving the liquid crystal display module, the side thickness of the LCD becomes thinner as being further distanced from the position of receiving the

light source portion with the consequence of making the thickness of the LCD slim.

Meantime, in connection with the trend of the gradual decrease in the number of the PCBs to be received into the liquid crystal display module and of the high integration of the elements applied to the computer system by the one-chip technique, the information processing module mounted to the main body may be furnished between the mold frame and rear case. Upon accepting the information processing module into the interior of the LCD as above, there is an advantage that the space having been occupied by the main body of the computer system when the main body of the computer system and the monitor system are separately provided, may be utilized for another use.

Furthermore, only one among several functions of the information processing module as the analog-digital converter may be selectively furnished between the mold frame and rear case as the analog-digital converter. When the information processing module is placed into the internal space of the LCD as described above, the information processing module, liquid crystal panel driving circuit and source PCB are directly connected by using the anisotropic conductive film or solder. Consequently, while the generation of the electromagnetic wave resulting from using the separate connecting member such as the flexible PCB is minimized, the product performance of the LCD can be maximized.

While the present invention has been particularly shown and described with reference to particular embodiment thereof, it will be understood by those skilled in the art that various changes in form and details may be effected therein without departing from the spirit and scope of the invention as defined by the appended claims.

WHAT IS CLAIMED IS:

1. A liquid crystal display comprising:

a backlight assembly having a light source portion for generating light;

5 a liquid crystal display panel for receiving said light from said backlight assembly, and displaying images;

a mold frame for sequentially accepting said backlight assembly and liquid crystal display panel, said mold frame formed to be gradually thinner as further advancing from a first side of accepting to place said light source portion toward a
10 second side in opposition to said first side; and

a chassis coupled to be opposite to said mold frame for closely fixing said backlight assembly and liquid crystal display panel to said mold frame, and formed to be gradually thinner as further advancing from said first side of accepting to place said light source portion toward said second side in opposition to said first side.
15

2. A liquid crystal display comprising:

a liquid crystal display panel assembly having a liquid crystal display panel and a source printed circuit board formed with a wiring pattern for signal transmission;

20 backlight assembly for supplying light to said liquid crystal display panel assembly;

a mold frame for accepting said backlight assembly and liquid crystal display panel assembly; and

a chassis coupled to oppose to said mold frame for closely fixing said
25 backlight assembly and liquid crystal display panel assembly,

wherein said source printed circuit board receives a liquid crystal display panel driving signal supplied from the outside of said mold frame and chassis for driving said liquid crystal display panel to transmit said liquid crystal display panel driving signal to said liquid crystal display panel.

5

3. The liquid crystal display as claimed in claim 2, wherein said backlight assembly comprises a light source portion for generating said light; and a light-conducting plate, which is formed to be thinner as being further distanced from said light source portion, for guiding said light from said light source portion to said liquid crystal display panel.

10

4. The liquid crystal display as claimed in claim 3, wherein said chassis and mold frame are formed to be gradually thinner as further advancing from a first side of placing said light source portion toward a second side in opposition to said first side corresponding to the shape of said light-conducting plate.

15

5. An information processing apparatus comprising:
a liquid crystal display module including a backlight assembly having a light source portion for generating light; a liquid crystal display panel having a source printed circuit board for transmitting signals, for receiving said light from said backlight assembly to display images; a mold frame for sequentially accepting said backlight assembly and liquid crystal display panel, and formed to be gradually thinner as further advancing from a first side of receiving, to place said light source portion toward a second side in opposition to said first side; and a chassis coupled to oppose to said mold frame for closely fixing said backlight assembly and liquid crystal

20

25

display panel to said mold frame, and formed to be gradually thinner as further
advancing from said first side of receiving to place said light source portion toward
said second side in opposition to said first side; and

an information processing module having a liquid crystal display panel driving
5 circuit for generating a driving signal to drive said liquid crystal display panel, and
supplying said driving signal to said liquid crystal display panel via said source
printed circuit board.

6. The information processing apparatus as claimed in claim 5, further
10 comprising a flexible printed circuit board for electrically connecting said liquid crystal
display panel driving circuit and source printed circuit board.

7. The information processing apparatus as claimed in claim 6, wherein
said flexible printed circuit board comprises:

15 a first flexible printed circuit board extending from said liquid crystal display
panel driving circuit; and

a second flexible printed circuit board extending from said source printed
circuit board,

wherein said first and second flexible printed circuit boards are electrically
20 coupled onto either one side of an internal space of said main body and between
said backlight assembly and mold frame.

8. The information processing apparatus as claimed in claim 6, wherein
said flexible printed circuit board and source printed circuit board are electrically
25 coupled by means of either one of an anisotropic conductive film and a solder.

9. The information processing apparatus as claimed in claim 5, wherein said information processing module further comprises:

a central processing unit for generating control signals;

5 means for storing or supplying data in response to said control signals from said central processing unit; and

signal processing means for processing video data in response to said control signals from said central processing unit to provide the video data to said liquid crystal display panel driving circuit.

10

10. The information processing apparatus as claimed in claim 9, wherein said information processing module is closely coupled to the rear plane of said mold frame.

15

11. The information processing apparatus as claimed in claim 10, wherein said liquid crystal display module and information processing module are fixedly accepted between a front case and a rear case closely coupled by being opposite to each other.

20

12. The information processing apparatus as claimed in claim 9, wherein said storing means comprises at least one selected from the group consisting of a ROM, a RAM, a hard disc drive and an optical disc.

25

13. The information processing apparatus as claimed in claim 9, wherein said information processing module further comprises:

interfacing means for interfacing data with an external information processing module;

sound control means for playing and recording sound; and

communicating means for performing external communication.

5

14. The information processing apparatus as claimed in claim 5, wherein said information processing module further comprises signal converting means, which is electrically coupled to said liquid crystal display panel driving circuit, for converting an analog video signal supplied from an outside of said liquid crystal display into a digital video signal to supply the converted signal to said liquid crystal display panel driving circuit.

10

15. The information processing apparatus as claimed in claim 14, wherein said liquid crystal display module further comprises a reinforcing bracket closely coupled to the rear plane of said mold frame.

15

16. The information processing apparatus as claimed in claim 15, wherein said information processing module is bent to the rear plane of said mold frame together with said liquid crystal display panel driving circuit to be fixedly coupled to said reinforcing bracket.

20

17. The information processing apparatus as claimed in claim 5, wherein said liquid crystal display module is coupled to said information processing module by means of hinges and latches, the portion of placing said light source portion in said liquid crystal display module is coupled to said information processing module

25

FIG. 1

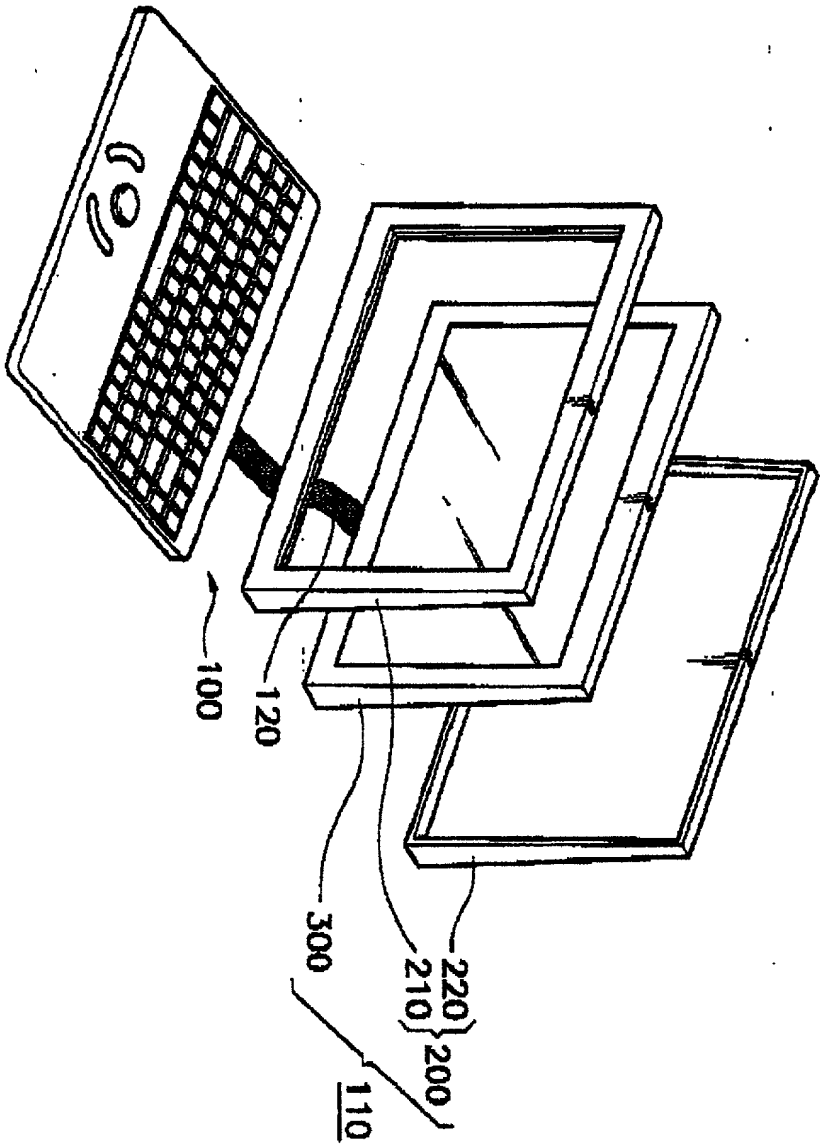
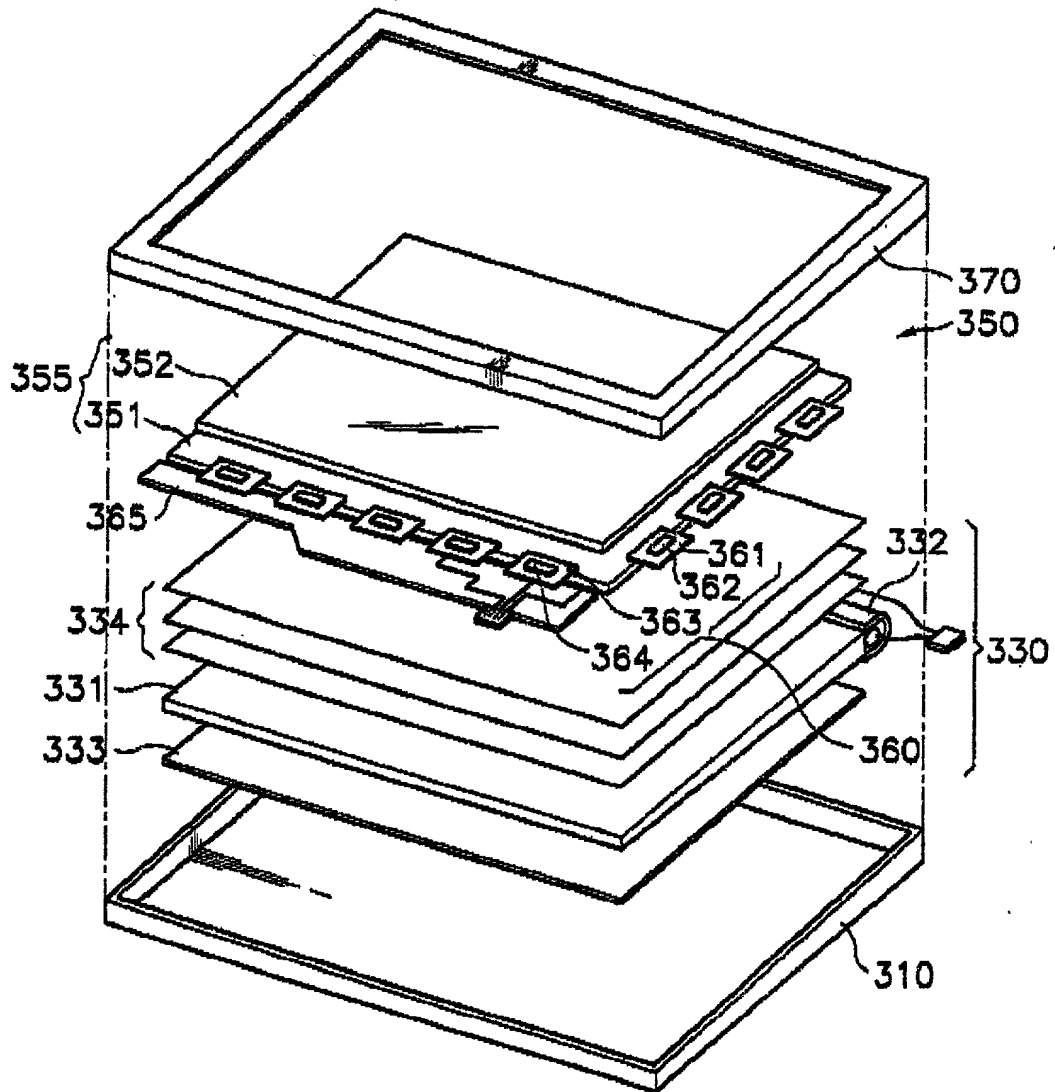


FIG. 2



DATE: 05/26/2010

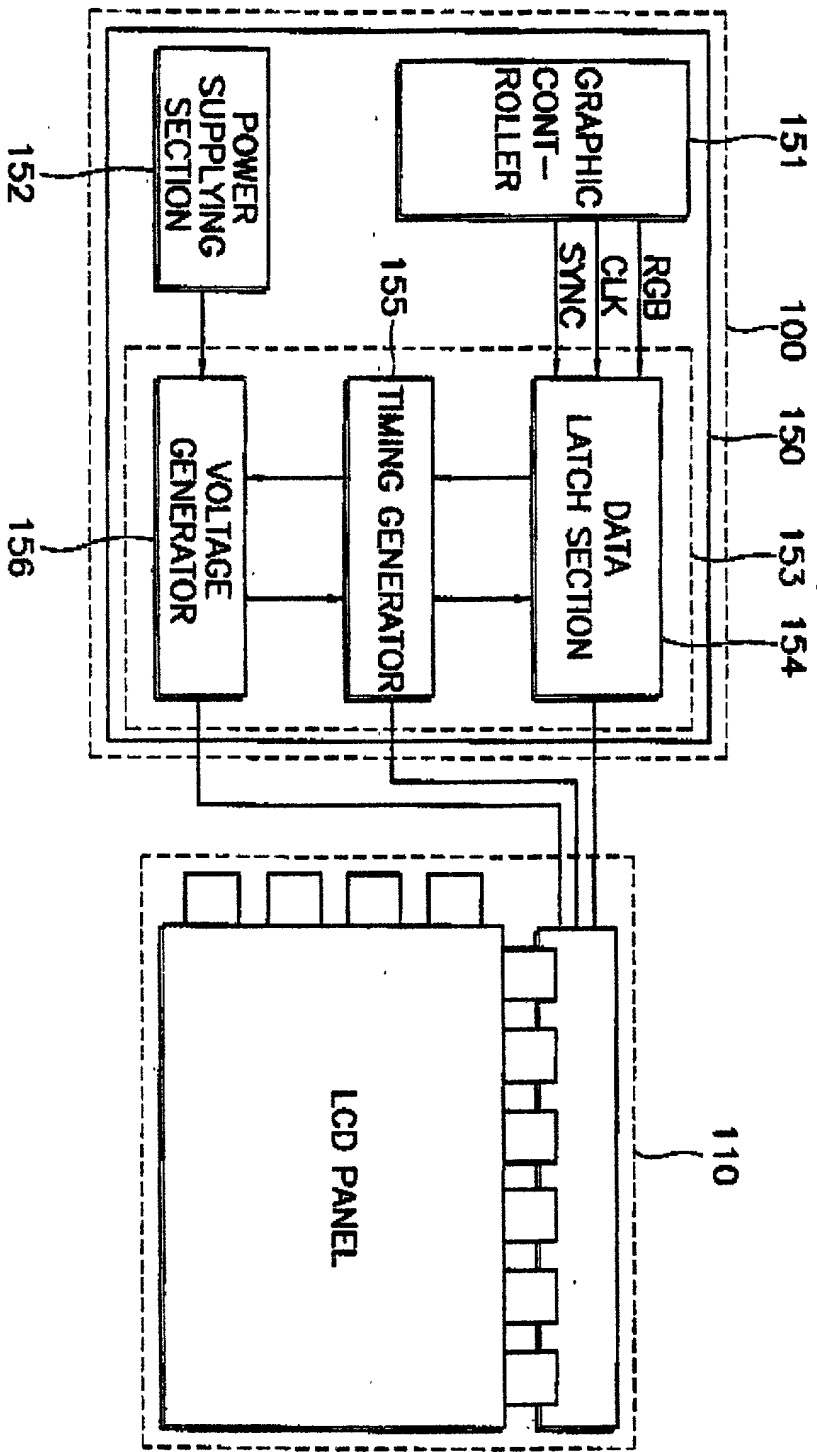
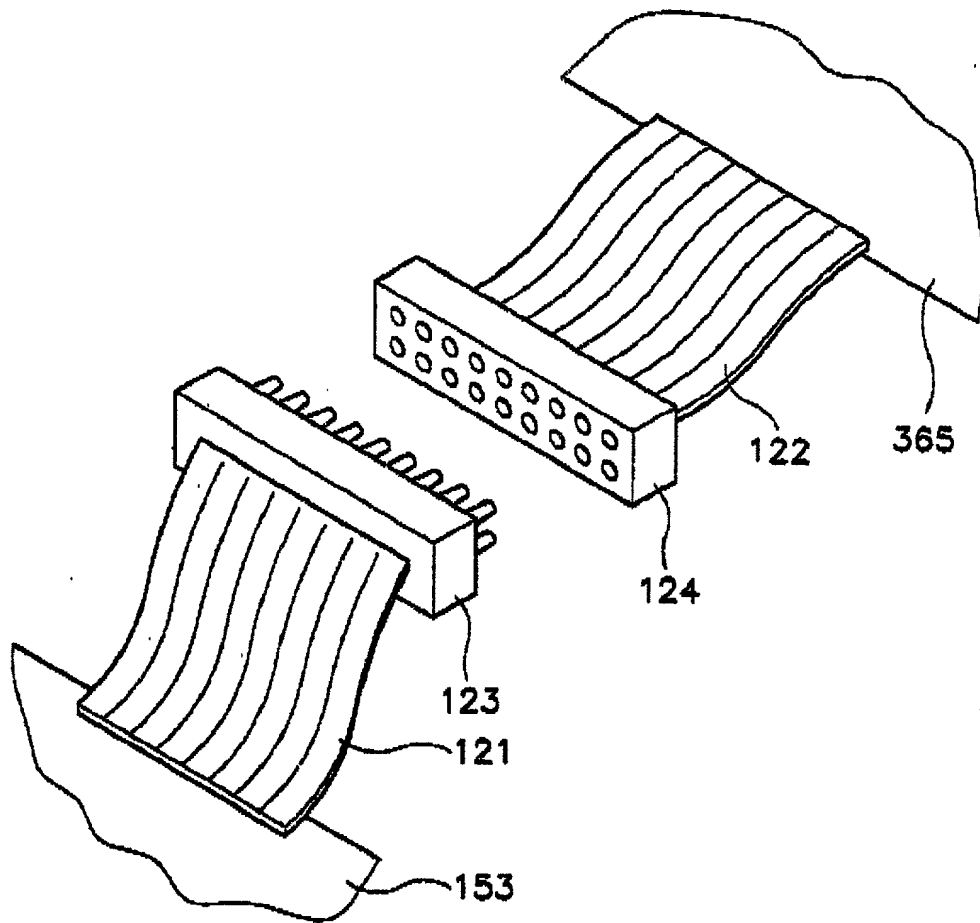


FIG. 3

FIG. 4



007220" SEBTE 2560

FIG. 5

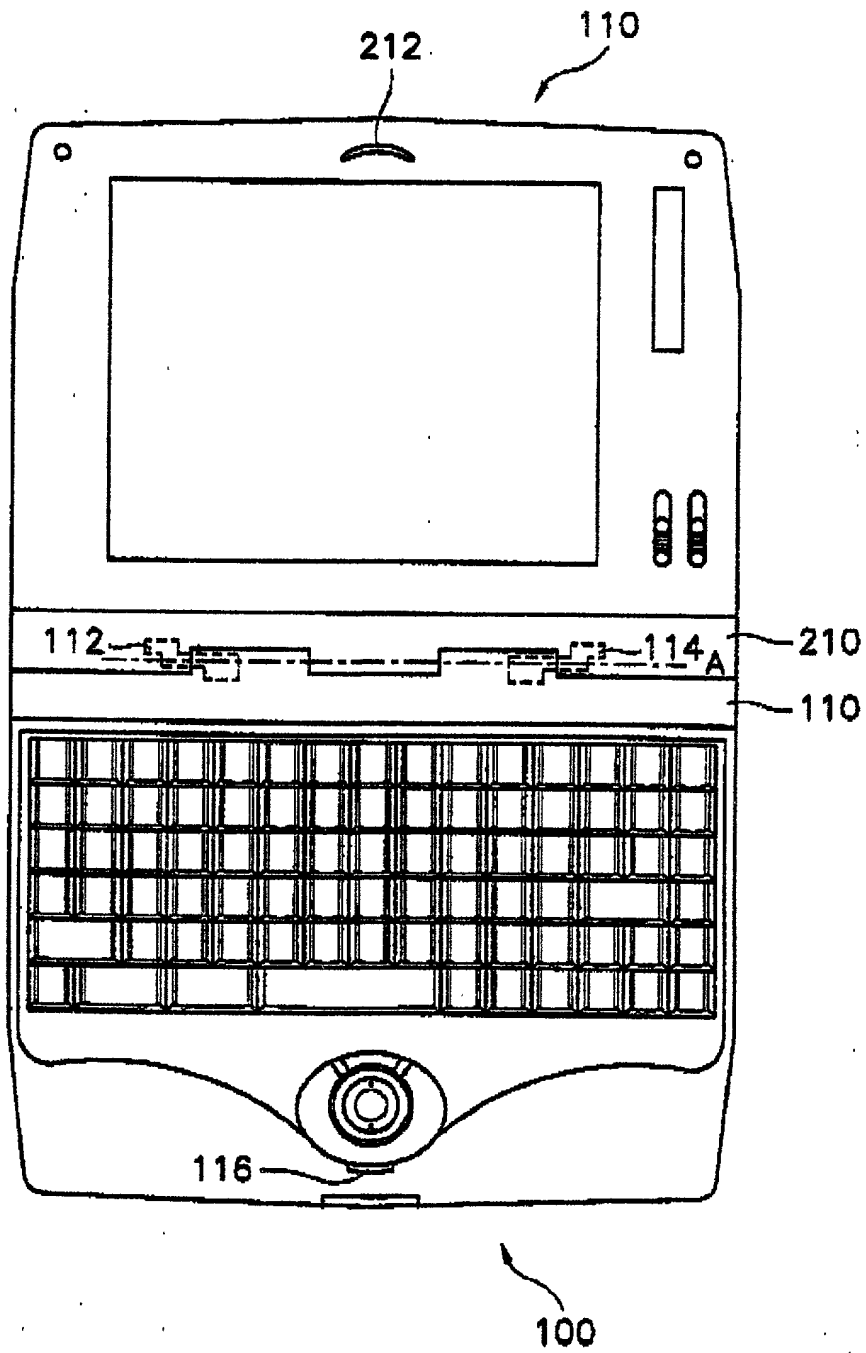


FIG. 6

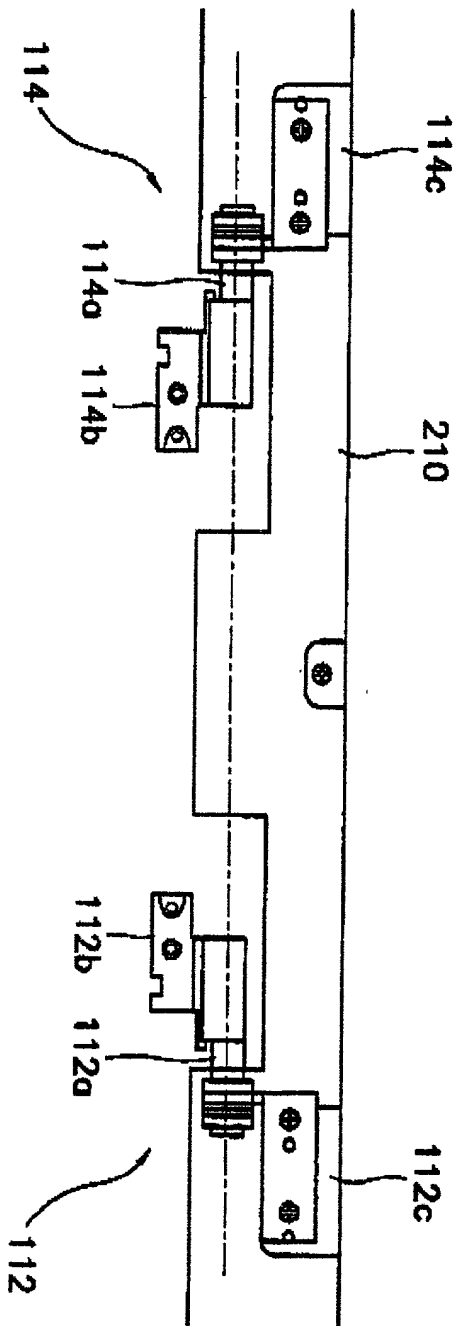


FIG. 7

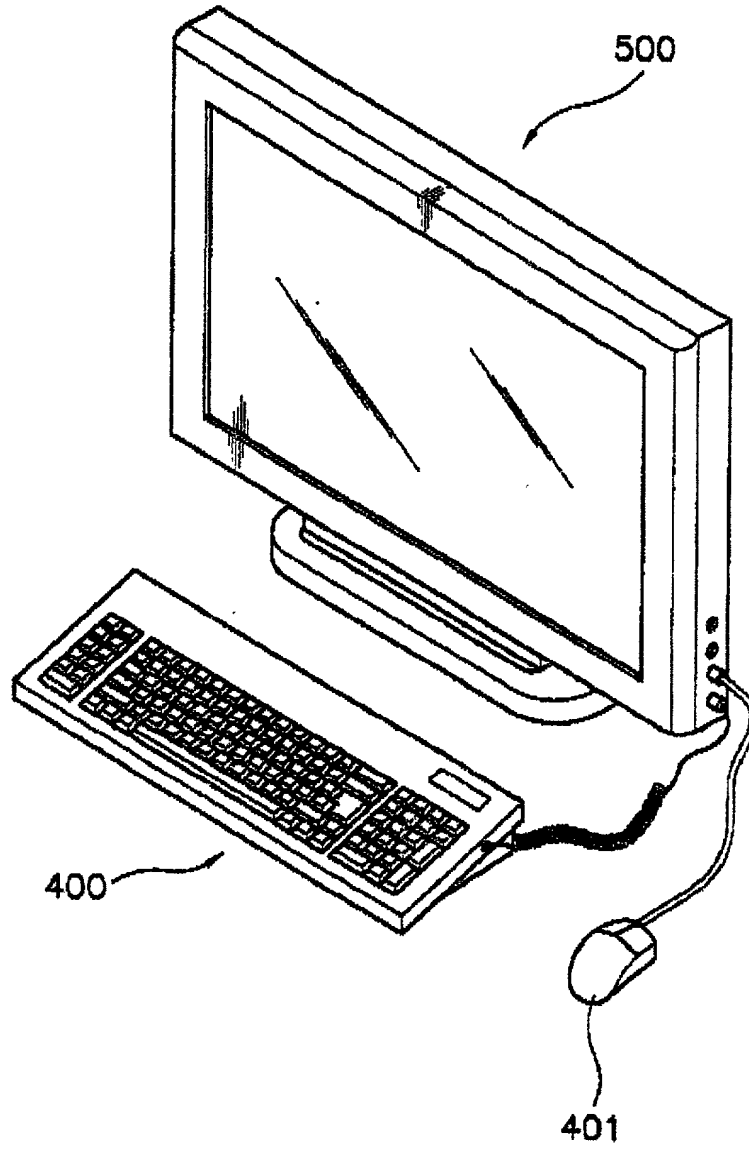
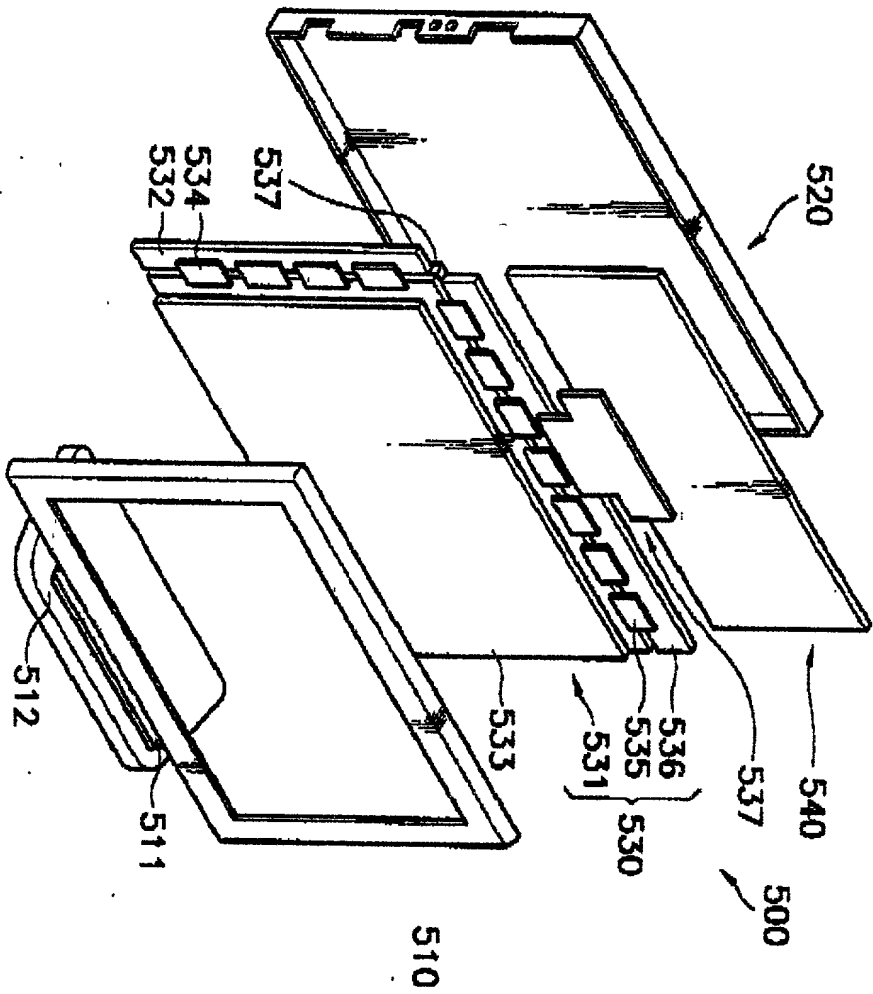
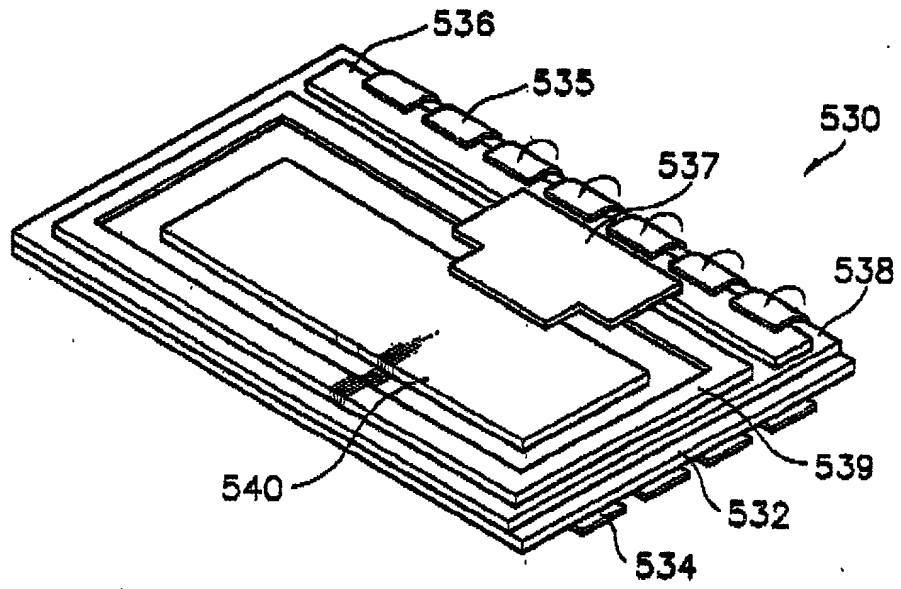


FIG. 8



09624825 . 072100

FIG. 9



007220" SET 250

FIG. 10

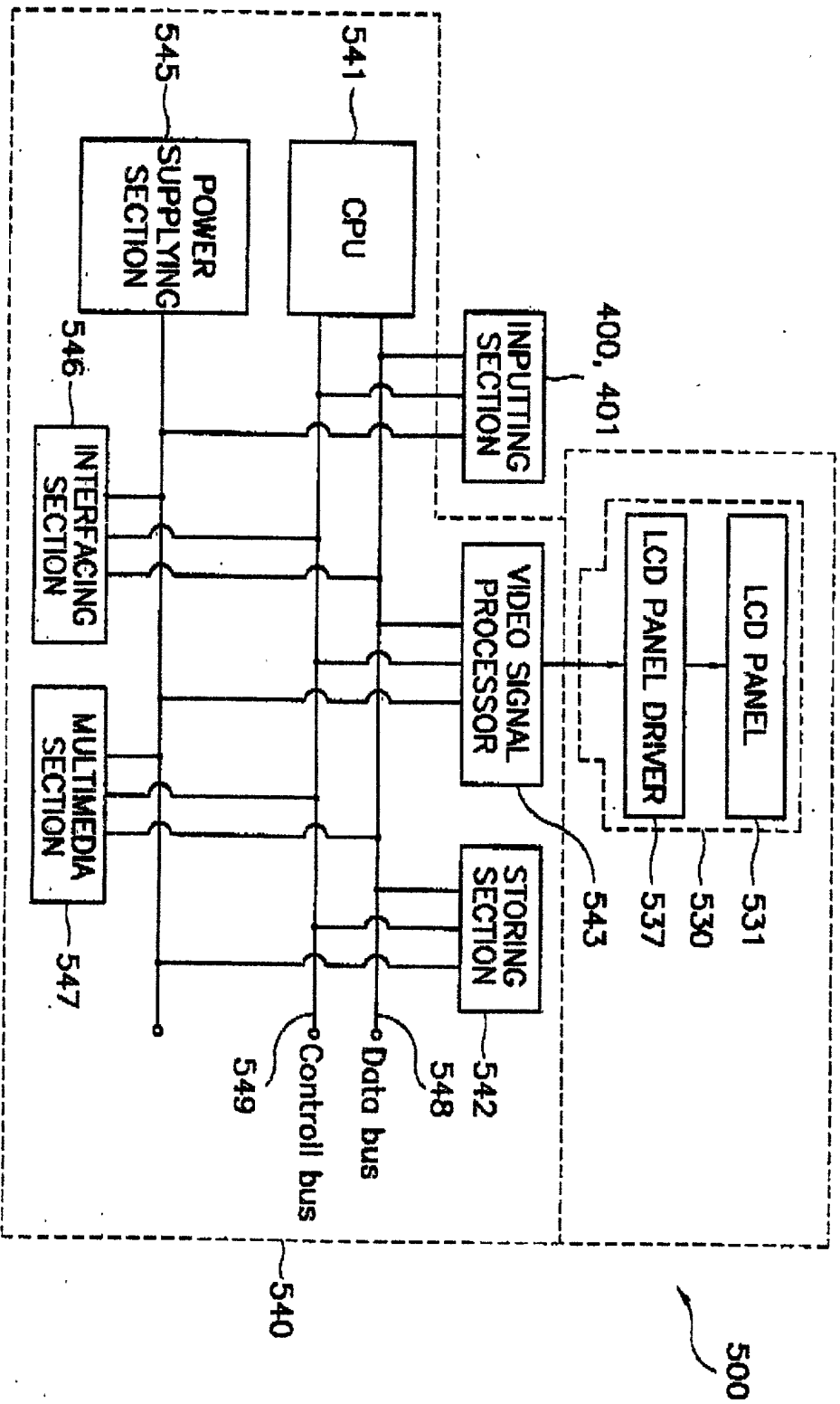


FIG. 11

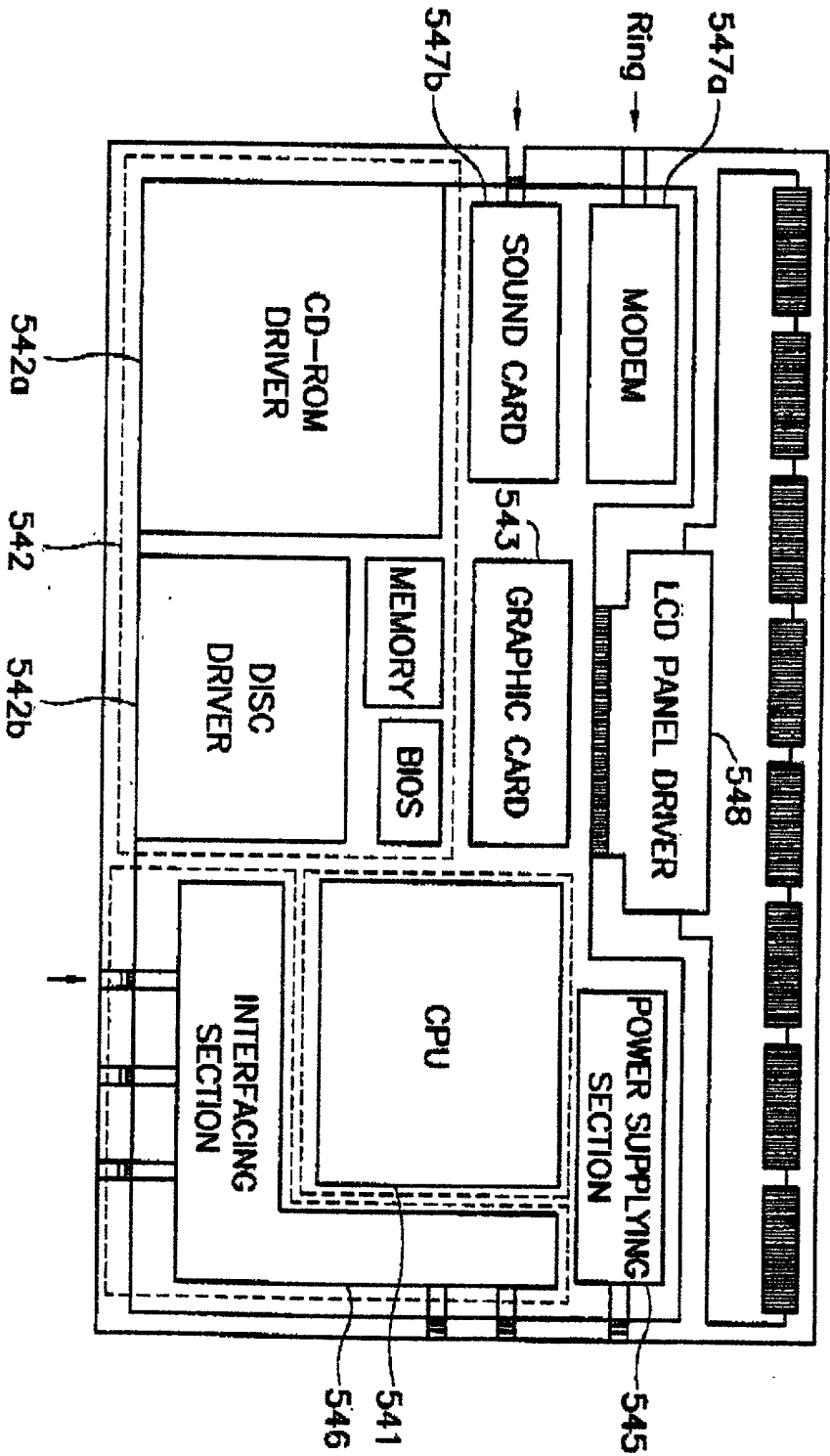
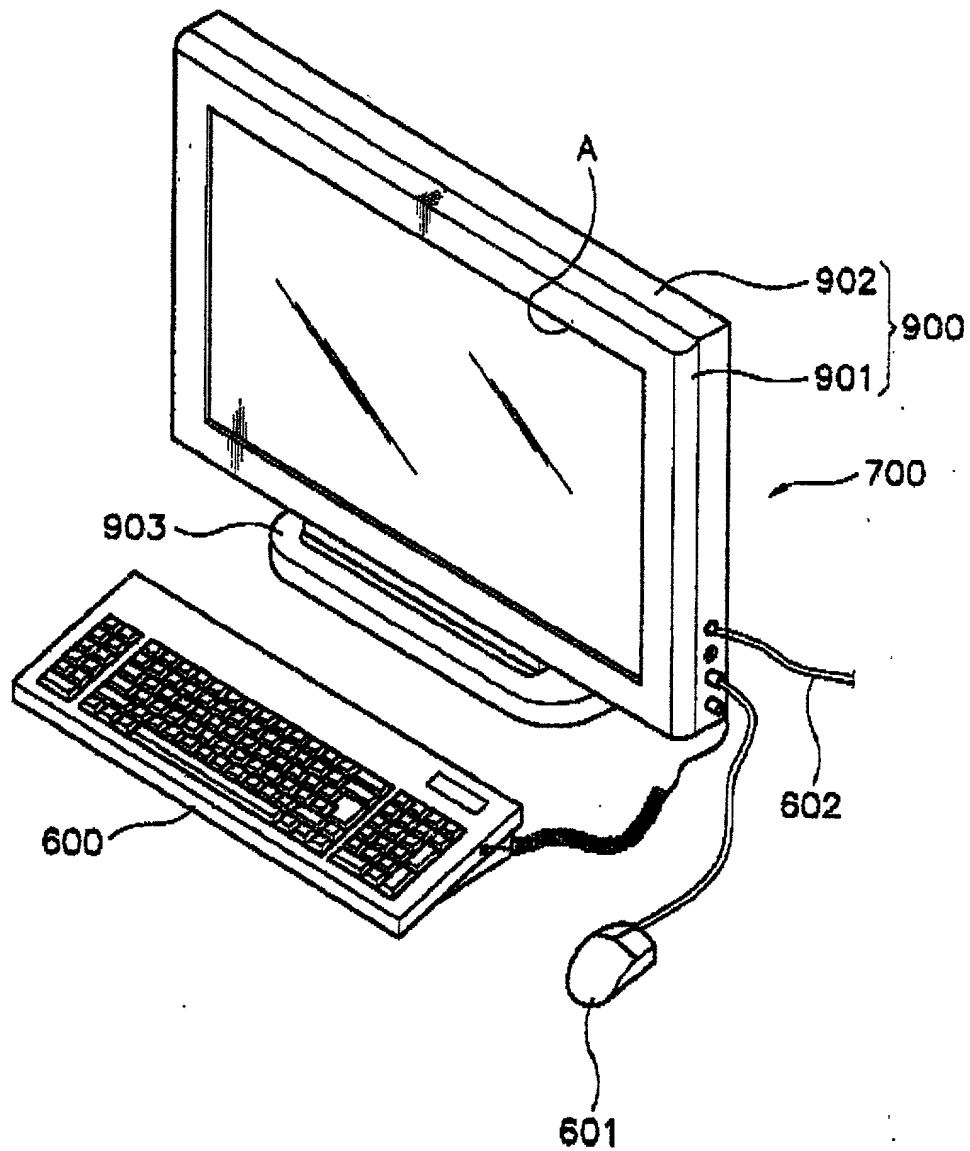


FIG. 12



007220" SEPT 25 2000

FIG. 13

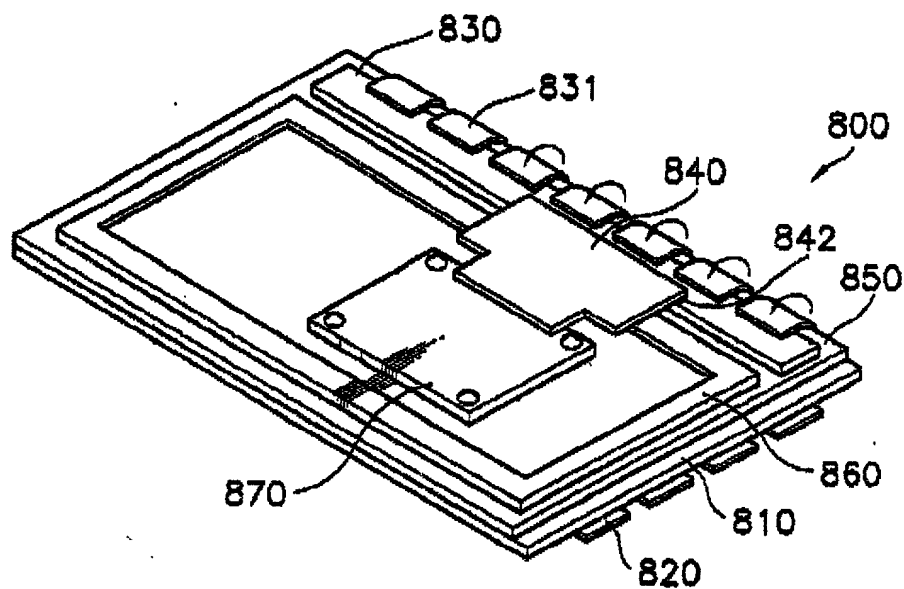


FIG. 14

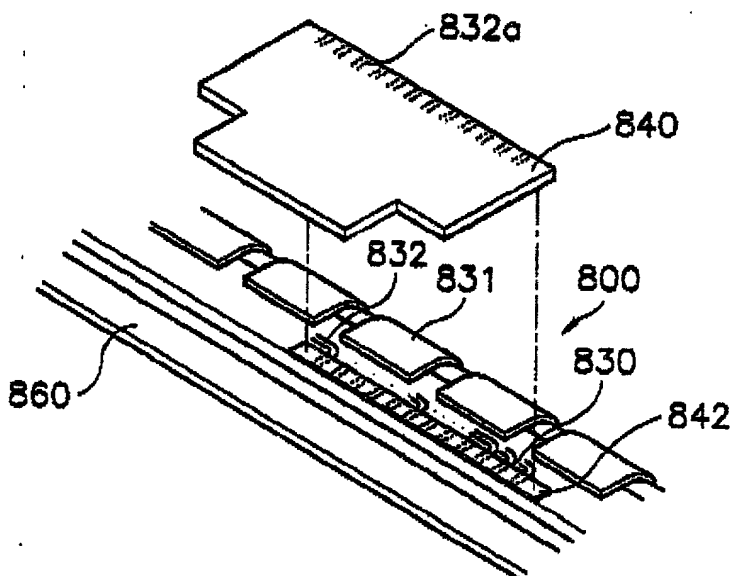


FIG. 15

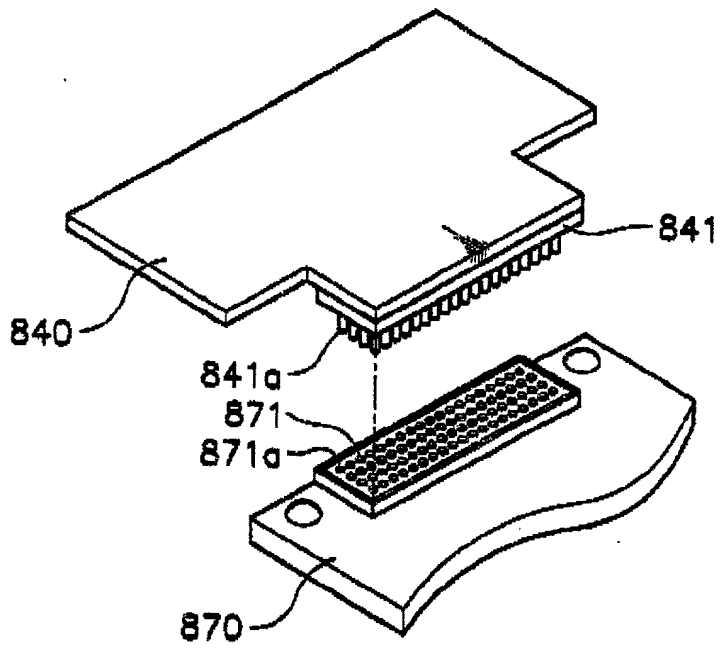
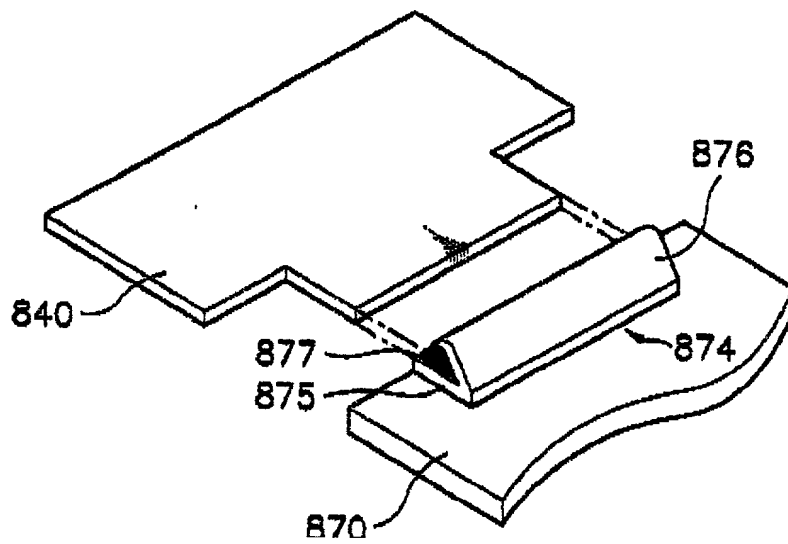


FIG. 16



Combined Declaration and Power of Attorney for Patent Application

Docket Number:

As a below named inventor, I hereby declare that:

My residence, post office address and citizenship are as stated below next to my name.

I believe I am the original, first and sole inventor (if only one name is listed below) or an original, first and joint inventor (if plural names are listed below) of the subject matter that is claimed and for which a patent is sought on the invention entitled LIQUID CRYSTAL DISPLAY AND AN INFORMATION PROCESSING APPARATUS HAVING THE SAME the specification of which is attached hereto unless the following box is checked:

was filed on _____;
 as United States Application Number or PCT International Application Number _____; and
 was amended on _____ (if applicable).

I hereby state that I have reviewed and understand the contents of the above identified specification, including the claims, as amended by any amendment referred to above.

I acknowledge the duty to disclose information that is material to patentability as defined in 37 C.F.R. § 1.56.

I hereby claim foreign priority benefits under 35 U.S.C. § 119(a)-(d) or § 365(b) of any foreign application(s) for patent or inventor's certificate, or § 365(a) of any PCT international application, which designated at least one country other than the United States listed below, and have also identified below any foreign application for patent or inventor's certificate, or PCT international application having a filing date before that of the application on which priority is claimed.

Prior Foreign Application(s)			Priority Claimed
<u>99-29529</u> (Application No.)	<u>Republic of Korea</u> (Country)	<u>July 21, 1999</u> (Day/Month/Year Filed)	Yes
<u>99-30549</u> (Application No.)	<u>Republic of Korea</u> (Country)	<u>July 27, 1999</u> (Day/Month/Year Filed)	Yes
<u>00-31337</u> (Application No.)	<u>Republic of Korea</u> (Country)	<u>June 8, 2000</u> (Day/Month/Year Filed)	Yes

I hereby claim the benefit under 35 U.S.C. § 119(e) of any United States provisional application(s) listed below.

_____	_____
(Application No.)	(Filing Date)
_____	_____
(Application No.)	(Filing Date)

I hereby claim the benefit under 35 U.S.C. § 120 of any United States application(s), or under § 365(c) of any PCT international application designating the United States, listed below and, insofar as the subject matter of each of the claims of this application is not disclosed in the prior United States or PCT international application in the manner provided by the first paragraph of 35 U.S.C. § 112, I acknowledge the duty to disclose information that is material to patentability as defined in 37 C.F.R. § 1.56 that became available between the filing date of the prior application and the national or PCT international filing date of this application.

007207587250

Full name of sole or first inventor	Jung Tae KANG		
Inventor's signature	<i>Jung Tae Kang</i>	Date	14/7/2000
Residence	Kyunggi-do, Korea		
Citizenship	Republic of Korea		
Post Office Address	102-203, Shinmijoo Apt., 300, Wonchun-dong, Suwon-city, Kyunggi-do, Korea		

Full name of second inventor	Choong Seob OH		
Second inventor's signature	<i>Choong Seob Oh</i>	Date	14/7/2000
Residence	Kyunggi-do, Korea		
Citizenship	Republic of Korea		
Post Office Address	101-1409, Woosung Apt., Mastan-dong, Suwon-si, Kyunggi-do, Korea		

Full name of third inventor	Jin Ho PARK		
Third inventor's signature	<i>Jin Ho Park</i>	Date	14/7/2000
Residence	Kyunggi-do, Korea		
Citizenship	Republic of Korea		
Post Office Address	312-306, Byucksan Hansung Apt., 1267, Kwonsun-dong, Kwonsun-gu, Suwon-city, Kyunggi-do, Korea		

00220" SASTESD

